

XNP-6040H

2M H.265 NW 4.3x PTZ Camera



Key Features

- Max. 2Megapixel (1920 x 1080) resolution
- 2.8 ~ 12mm (4.3x), 24x digital zoom
- H.265, H.264, MJPEG codec
- WiseStreamII/IP66, IK10 Support, Multiple streaming
- Day & Night (ICR), WDR (150dB)
- Digital image stabilization with Built-in Gyro sensor
- Motion/Direction/Fog/Audio detection
- SD/SDHC/SDXC memory slot (Max. 512GB), PoE / 12V DC

Compatible Accessories (Optional)



SBP-301HM5



SBP-137WM1



SPB-PTZ71



SBV-136B



SHD-1408FW



SBP-390WM2



SBP-300WM



SBP-300WM1



SBP-300NB



SBP-300KM



SBP-300LM



SBP-300CM



SBP-300PM



SBP-300B

Video	
Imaging Device	1/2.8" CMOS
Resolution	1920x1080, 1280x1024, 1280x960, 1280x720, 1024x768, 800x600, 800x448, 720x576, 720x480, 640x480, 640x360, 320x240
Max. Framerate	H.265/H.264: Max. 60fps/50fps(60Hz/50Hz) MJPEG: Max. 30fps/25fps(60Hz/50Hz)
Min. Illumination	Color: 0.015Lux(F1.4, 1/30sec) BW: 0.0015Lux(F1.4, 1/30sec)
Video Out	CVBS: 1.0 Vp-p / 75Ω composite, 720x480(N), 720x576(P) for installation USB: Micro USB type B, 1280x720 for installation
Lens	
Focal Length (Zoom Ratio)	2.8~12mm(4.3x) zoom
Max. Aperture Ratio	F1.4
Angular Field of View	H: 119.5°(Wide)~27.9°(Tele) / V: 62.8°(Wide)~15.7°(Tele) / D: 142.1°(Wide)~32.0°(Tele)
Min. Object Distance	Wide: 1.5m(4.92ft), Tele: 2m(6.56ft)
Focus Control	Oneshot AF
Lens Type	DC auto iris
Pan / Tilt / Rotate	
Pan Range	0° ~ 350°
Pan Speed	0.1°/sec ~60°/sec
Tilt Range	0° ~90°
Tilt Speed	0.1°/sec ~60°/sec
Sequence	Preset(300ea), Swing, Group(6ea), Trace, Tour, Auto Run, Schedule
Preset Accuracy	±0.5°
Operational	
Camera Title	Displayed up to 85 characters
Day & Night	Auto(ICR)
Backlight Compensation	BLC, HLC, WDR, SDR
Wide Dynamic Range	150dB
Digital Noise Reduction	SSNR V
Digital Image Stabilization	Support(built-in gyro sensor)
Defog	Support
Motion Detection	8ea, 8point polygonal zones
Privacy Masking	32ea, rectangular Support - Color: Grey/Green/Red/Blue/Black/White - Mosaic
Gain Control	Low / Middle / High
White Balance	ATW / AWC / Manual / Indoor / Outdoor
Electronic Shutter Speed	Minimum / Maximum / Anti flicker (2~1/12,000sec)
Video Rotation	Flip, Mirror

Analytics	Directional detection, Fog detection, Face detection, Motion detection, Appear/Disappear, Enter/Exit, Loitering, Tampering, Virtual line, Audio detection, Sound classification
Serial Interface	RS-485(Samsung-T, Pelco-D/P, Panasonic, Bosch, AD, GE, Vicon, Honeywell)
Alarm I/O	Input 1ea / Output 1ea
Alarm Triggers	Analytics, Network disconnect, Alarm input
Alarm Events	File upload via FTP and e-mail Notification via e-mail SD/SDHC/SDXC or NAS recording at event triggers Alarm output PTZ Preset
Audio In	Selectable(mic in/line in) Supply voltage: 2.5VDC(4mA), Input impedance: 2K Ohm
Audio Out	Line out, Max.output level: 1Vrms
Auto Tracking	Support
Network	
Ethernet	RJ-45(10/100BASE-T), SFP(Optional)
Video Compression	H.265/H.264,MJPEG
Audio Compression	G.711 u-law /G.726 Selectable G.726(ADPCM) 8KHz, G.711 8KHz G.726: 16Kbps, 24Kbps, 32Kbps, 40Kbps AAC-LC: 48Kbps at 16KHz
Smart Codec	Manual(5ea area), WiseStream II
Bitrate Control	H.264/H.265: CBR or VBR MJPEG: VBR
Streaming	Unicast(20 users) / Multicast (128 user) Multiple streaming(Up to 10 profiles)
Protocol	IPv4, IPv6, TCP/IP, UDP/IP, RTP(UDP), RTP(TCP), RTCP,RTSP, NTP, HTTP, HTTPS, SSL/TLS, DHCP, FTP, SMTP, ICMP, IGMP, SNMPv1/v2c/v3(MIB-2), ARP, DNS, DDNS, QoS, PIM-SM, UPnP, Bonjour,LLDP, SRTP
Security	HTTPS(SSL) Login Authentication Digest Login Authentication IP Address Filtering User access log 802.1X Authentication(EAP-TLS, EAP-LEAP)
Application Programming Interface	ONVIF Profile S/G/T SUNAPI(HTTP API) Wisenet open platform
General	
Webpage Language	English, Korean, Chinese, French, Italian, Spanish, German, Japanese, Russian, Swedish,, Portuguese, Czech, Polish, Turkish, Dutch, Hungarian, Greek
Edge Storage	Micro SD/SDHC/SDXC 2slot 512GB
Memory	1024MB RAM, 256MB Flash
Environmental & Electrical	
Operating Temperature / Humidity	-30°C~-+55°C (-22°F~-+131°F) / Less than 90% RH
Storage Temperature / Humidity	-30°C~-+60°C (-22°F~-+140°F) / Less than 90% RH
Certification	IP66, IK10

Input Voltage	DC12V, PoE(IEEE802.3af, Class3)
Power Consumption	DC12V: Max. 8.6W PoE : Max. 9.6W

Mechanical

Color / Material	Ivory / Aluminum
Product Dimensions / Weight	Ø136x106mm(5.35x4.17"), 780g(1.72 lb)

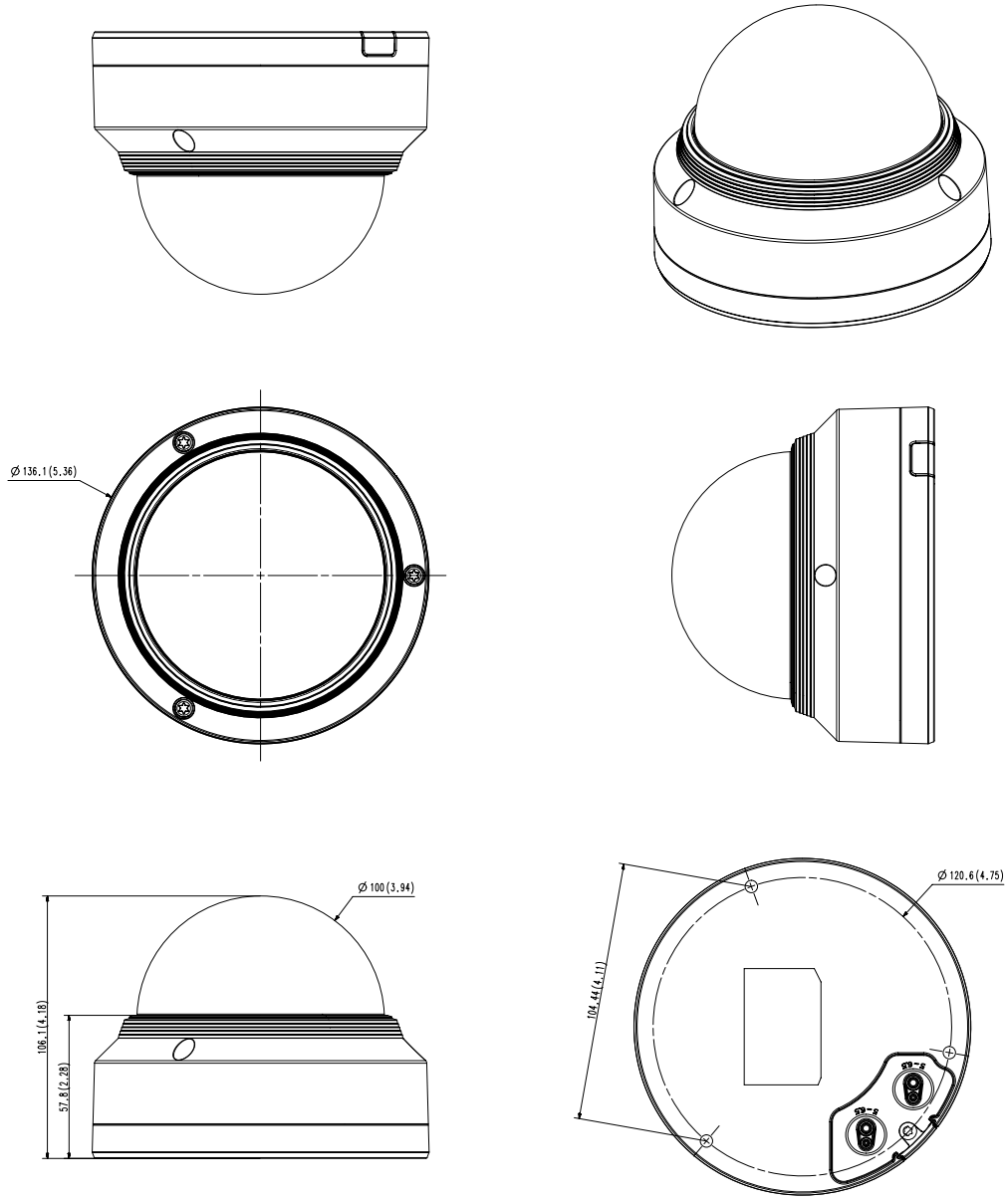
DORI

Detect (25PPM/ 8PPF)	Wide: 22.4m(73.47ft) / Tele: 154.6m(507.18ft)
Observe (63PPM/ 19PPF)	Wide: 9.0m(29.39ft) / Tele: 61.8m(202.87ft)
Recognize (125PPM/ 38PPF)	Wide: 4.5m(14.69ft) / Tele: 30.9m(101.44ft)
Identify (250PPM/ 76PPF)	Wide: 2.2m(7.35ft) / Tele: 15.5m(50.72ft)

- The latest product information / specification can be found at hanwha-security.com
- Design and specifications are subject to change without notice.
- Wisenet is the proprietary brand of Hanwha Techwin, formerly known as Samsung Techwin.

NO	PART NAME	CODE NO.	MATERIAL	Q'TY	REMARK
1				1	

단위 :mm(인치)



A1
CHANGE

UNIT	MM	DESIGN	CHECK	APPROVAL	PART NAME	ASSY_XNP-6040H
SCALE					MODEL NAME	XNP-6040H
Hanwha Techwin					CODE NO.	